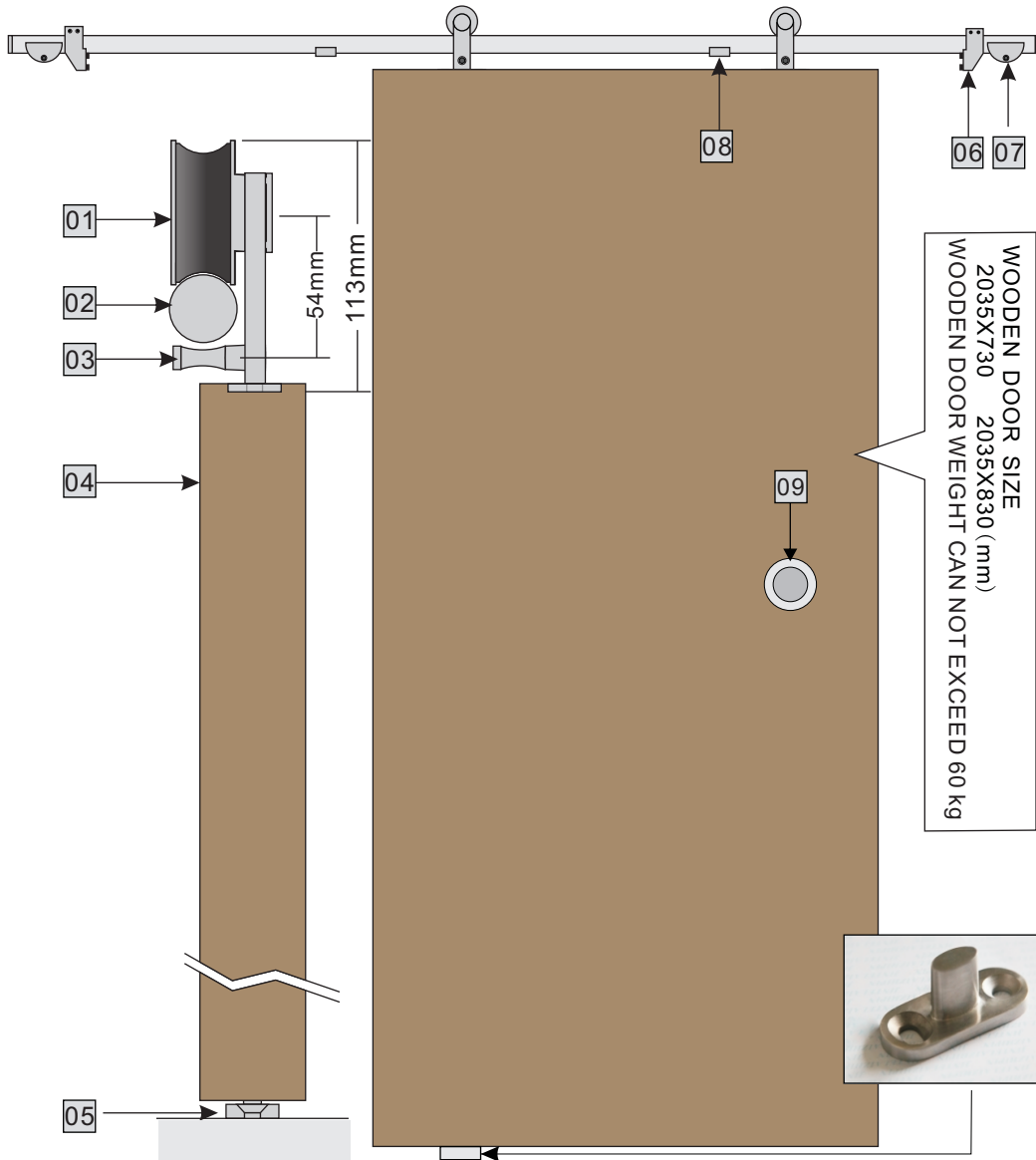
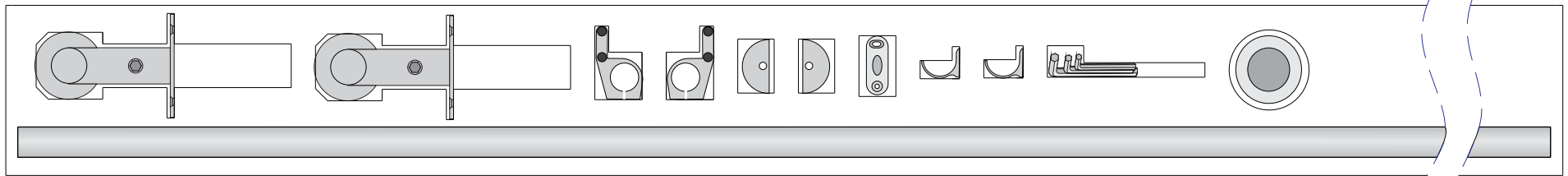


# Installation Instruction for Wooden Door System

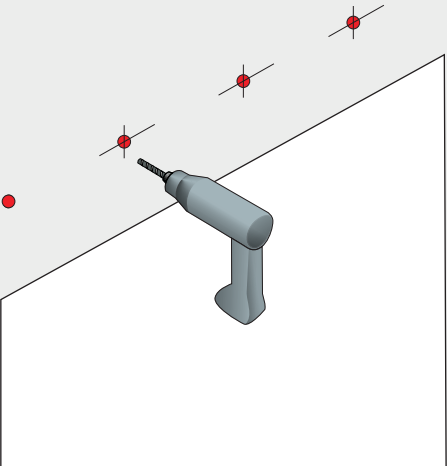
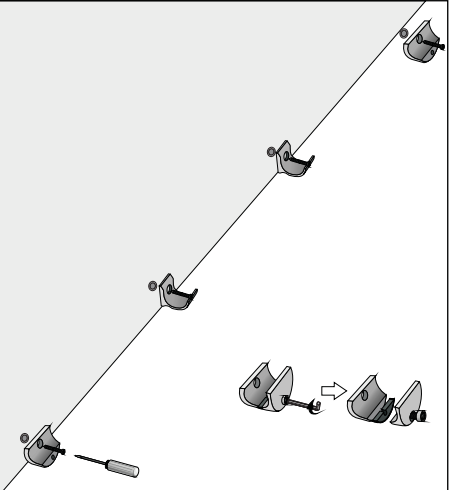
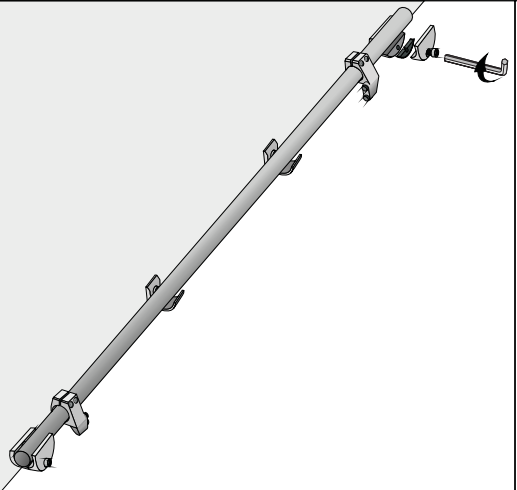
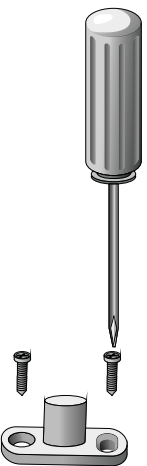
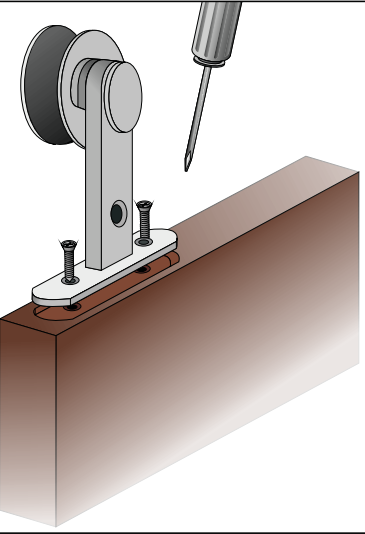
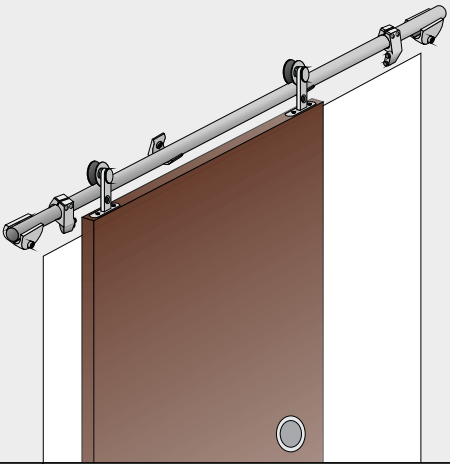
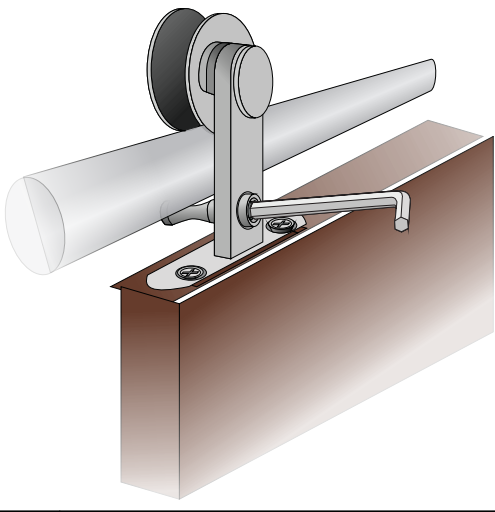



01	Roller Assembly	(x2)
02	Sliding Tube	(x1)
03	Anti-Jump Device	(x2)
04	Wooden Door (not supplied)	(x1)
05	Floor Guide	(x1)
06	Door Stop	(x2)
07	Tube Clamp	(x2)
08	Tube Holder	(x2)
09	Door Handle	(x1)

Tools Supplied		
Allen Keys	Screws Rawlplugs	
Tools Required		
Drill	Screwdriver	Screws Rawlplugs



IMPORTANT, THIS SYSTEM SHOULD BE ATTACHED TO A SOLID WALL USING APPROPRIATE FIXINGS OR A SUITABLY REINFORCED STUD WALL.

			
<p><b>1</b> Calculate the height required for the wall holes(see page 1) and use drill 60mm deep holes at 4 equal intervals. It is absolutely imperative that these holes are at the exact same height so check carefully before drilling.</p>	<p><b>2</b> Using the screws and rawlplugs provided screw the tube end clamps (you need to separate the two halves) and tube holders into position on the wall.</p>	<p><b>3</b> Slide the door stops onto the tube making sure they are on the correct way and place the tube onto the clamps and holders in the desired position. Screw the cover part of the tube clamp back onto the unit securely and check the Rail is fixed and solid.</p>	<p><b>4</b> Fix the door guide to the floor. It should be positioned just before the beginning of the passage opening approx. middle of the door movement.</p>
			
<p><b>5</b> Use self-tapping screws to fix roller assemblies on wooden door.</p>	<p><b>6</b> It is a two person job to hang the wooden door on the tube. Adjust the roller assemblies to right position and make sure the wooden door is on the floor guide.</p>	<p><b>7</b> Install the anti-jump device with the allen key and fix firmly.</p>	<p><b>8</b> Finish the installation.</p>